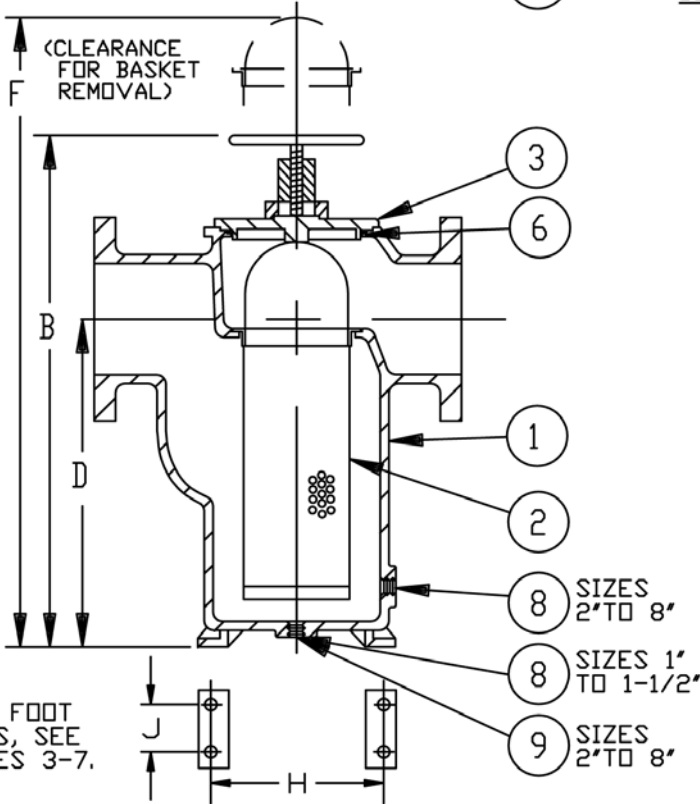


8" COVER & YOKE
DETAIL



NO.	PART NAME	MATERIAL
1	BODY	CAST IRON ASTM A126 CL.B
2	SCREEN	
	PERF. DIA.	
	MESH	
3	COVER	CAST IRON ASTM A126 CL.B
4	YOKE	DUCTILE IRON
5	YOKE SCREW	STEEL
6	O-RING	BUNA-N
7	STUD	STEEL
8	DRAIN PLUG	CARBON STEEL
9	BODY PLUG	CAST IRON
10	COVER CLAMP	DUCTILE IRON

NOTES:

1. INLET/OUTLET 125 L.B. FLANGED CONNECTIONS PER ANSI B16.1.
2. COVER CLAMP (ITEM 10) FOR 4", 5", 6" SIZES.
3. NO FOOT PADS FOR SIZES 1", 1-1/4", 1-1/2".
4. 7/16"Ø SLOTTED FOOT PADS FOR SIZE 2".
5. 1/2"Ø SLOTTED FOOT PADS FOR SIZES 2-1/2", 3".
6. 9/16"Ø HOLED FOOT PADS FOR SIZES 4", 5", 6".
7. 5/8"Ø SLOTTED FOOT PADS FOR SIZE 8".
8. DIMENSIONS B, D, F ARE FROM BOTTOM OF STRAINER.
9. DIMENSION "G" (NPT) IS FOR DRAIN PLUG, ITEM 8.
10. ITEM 9, BODY PLUG IS NOT TO BE USED AS DRAIN.
11. MAX. WORKING PRESSURE : 200 PSI @ 100° F
(13.8 BAR @ 37.8° C)

CERTIFIED FOR:

P. O. NO.:

REG. NO.:

QUOTE NO.:

TAG NO.:

PIPE SIZE (NOMINAL)	DIMENSIONS										WEIGHT (DRY)		PART NO.
	A IN. MM.	B IN. MM.	C IN. MM.	D IN. MM.	F IN. MM.	G (NOM.) IN. MM.	H IN. MM.	J IN. MM.	K IN. MM.	LBS	KGS		
1" (25mm)	7.63/ 194	8.38/ 213	4.00/ 102	5.00/ 127	13/ 330	1/2 (15)	----	----	4.31/ 109	9/ 4		ST072010AF40A	
1-1/4" (32mm)	10.25/ 260	11.00/ 279	4.88/ 124	7.00/ 178	16/ 406	3/4 (20)	----	----	5.63/ 143	13/ 6		ST072012AF40A	
1-1/2" (40mm)	10.25/ 260	11.00/ 279	4.88/ 124	7.00/ 178	16/ 406	3/4 (20)	----	----	5.63/ 143	17/ 8		ST072015AF40A	
2" (50mm)	10.50/ 268	13.75/ 349	6.75/ 172	7.63/ 194	20/ 508	1/2 (15)	5.50/140	2.50/ 64	5.75/ 146	37/ 17		ST0720200F4C	
2-1/2" (65mm)	11.63/ 295	15.63/ 397	7.94/ 202	8.88/ 226	23/ 584	3/8 (10)	6.50/165	2.88/ 73	6.63/ 168	54/ 24		ST0720250F4C	
3" (80mm)	13.13/ 334	18.00/ 457	8.00/ 203	11.00/ 279	27/ 686	3/8 (10)	7.00/178	3.13/ 80	7.25/ 184	76/ 34		ST0720300F4C	
4" (100mm)	16.75/ 425	19.88/ 505	10.69/ 272	10.69/ 272	29/ 737	1/2 (15)	10.00/254	3.88/ 99	9.38/ 238	125/ 57		ST0720400F4C	
5" (125mm)	18.13/ 460	25.13/ 628	10.69/ 272	15.19/ 386	38/ 965	1/2 (15)	10.00/254	4.63/118	10.13/ 257	170/ 77		ST0720500F4C	
6" (150mm)	19.63/ 499	28.50/ 724	10.69/ 272	18.31/ 465	46/1168	1/2 (15)	10.00/254	5.00/127	10.81/ 275	200/ 91		ST0720600F4C	
8" (200mm)	27.00/ 686	40.00/1016	----	27.00/ 686	60/1524	1-1/2(40)	15.75/400	8.63/219	15.50/ 394	500/ 227		ST0720800F4C	

FATON	Monarch Asia Pacific Pty Ltd Brisbane, Australia, Ph +61 (0) 7 3298 5000 www.monarchindustrial.com.au		
	NAME MODEL 72 SIMPLEX STRAINER 125# FLAT FACE FLANGE SIZES 1" THRU 8" CAST IRON		
DRAWN VAA	DATE 11/26/91	CERT. FM	DATE 11/26/91
SIZE A	DWG NO	SD072024	
REV E			

UNAUTHORIZED USE, MANUFACTURE OR REPRODUCTION IN WHOLE OR IN PART IS PROHIBITED.

ELECTRONIC FILE NAME: SD072024.DWG

REF. ECR 0507 DATE 11/11/05