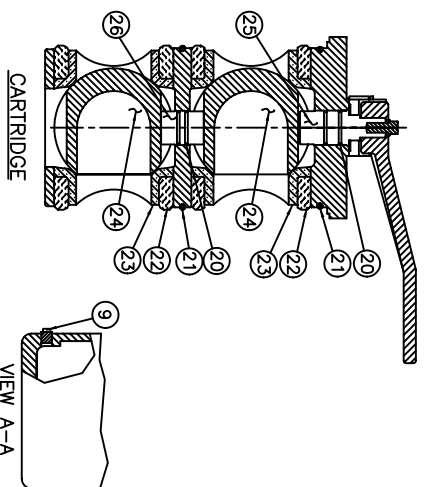
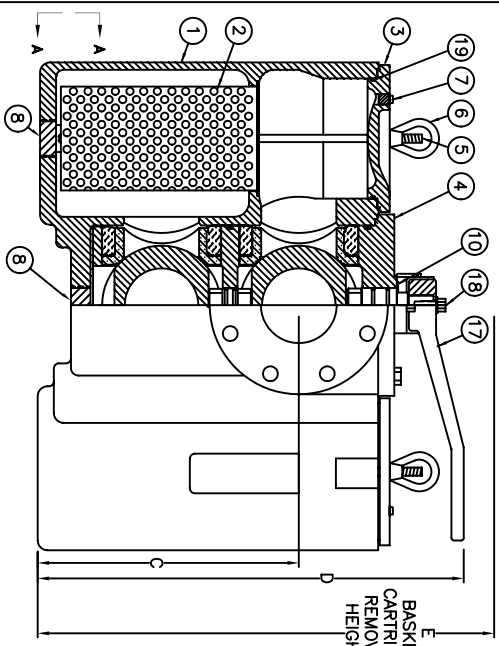
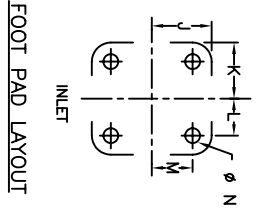
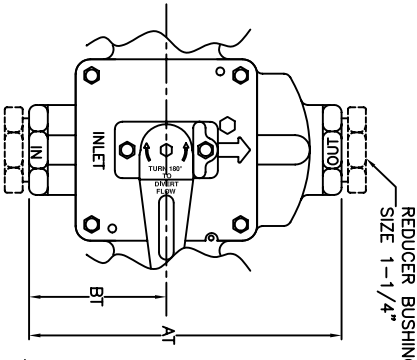
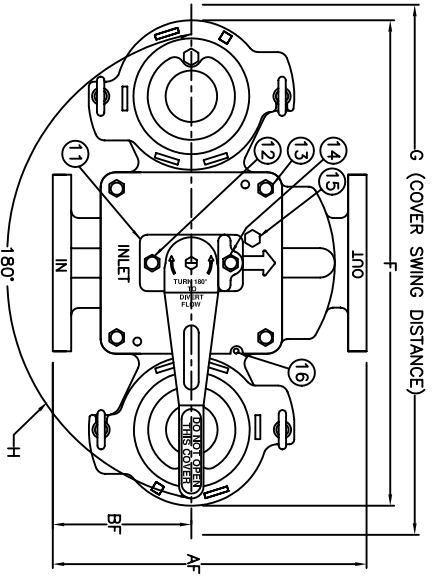


PIPE SIZE (NOMINAL) IN. MM.	AF±0.13 IN. MM.	BF IN. MM.	AT±0.13 IN. MM.	BT IN. MM.	C IN. MM.	D IN. MM.	E IN. MM.	F IN. MM.	G IN. MM.	H IN. MM.	J IN. MM.	K IN. MM.	L IN. MM.	M IN. MM.	N IN. MM.	STRAINER WEIGHT LBS. KGS.	STRAINER PART NO.								
																		1	2	3	4	5	6	7	8
3/4 (20)			5.50 / 140	2.53 / 64	5.00 / 127	10.50 / 267	13.38 / 340	10.50 / 268	16.50 / 419	7.88 / 200	3.25 / 83	2.13 / 54	1.63 / 41	2.75 / 70	3/8 (10)	37 / 17	ST053007AT46TS								
1 (25)			5.50 / 140	2.53 / 64	5.00 / 127	10.50 / 267	13.38 / 340	10.50 / 268	16.50 / 419	7.88 / 200	3.25 / 83	2.13 / 54	1.63 / 41	2.75 / 70	3/8 (10)	37 / 17	ST053010AT46TS								
1-1/4 (32)			6.88 / 175	3.19 / 81	5.00 / 127	10.50 / 267	13.38 / 340	10.50 / 268	16.50 / 419	7.88 / 200	3.25 / 83	2.13 / 54	1.63 / 41	2.75 / 70	3/8 (10)	42 / 19	ST053010AF46TS								
1-1/2 (40)			8.75 / 222	3.88 / 99	6.81 / 173	12.75 / 324	17.00 / 432	13.25 / 330	19.88 / 505	7.88 / 200	3.25 / 83	2.13 / 54	1.63 / 41	2.75 / 70	3/8 (10)	80 / 36	ST053012AT46TS								
2 (50)			9.38 / 238	4.31 / 109	6.81 / 173	12.75 / 324	17.00 / 432	13.25 / 330	19.88 / 505	7.88 / 200	3.25 / 83	2.13 / 54	1.63 / 41	2.75 / 70	3/8 (10)	83 / 38	ST053015AT46TS								
2-1/2 (63)			10.00 / 254	4.50 / 114	8.38 / 213	15.50 / 394	21.75 / 552	17.38 / 441	26.25 / 667	10.63 / 270	4.69 / 119	2.50 / 64	1.81 / 46	4.00 / 102	5/8 (16)	157 / 71	ST053020AT46TS								
3 (80)			10.63 / 270	4.63 / 117	8.38 / 213	15.50 / 394	21.75 / 552	17.38 / 441	26.25 / 667	10.63 / 270	4.69 / 119	2.50 / 64	1.81 / 46	4.00 / 102	5/8 (16)	167 / 76	ST053020AF46TS								
4 (100)			10.75 / 273	4.69 / 119	8.38 / 213	15.50 / 394	21.75 / 552	17.38 / 441	26.25 / 667	10.63 / 270	4.69 / 119	2.50 / 64	1.81 / 46	4.00 / 102	5/8 (16)	183 / 83	ST053025AF46TS								
			13.50 / 343	5.93 / 151	8.88 / 226	18.00 / 457	26.50 / 673	22.75 / 578	35.00 / 889	12.00 / 305	4.69 / 119	2.50 / 64	1.81 / 46	4.00 / 102	5/8 (16)	285 / 129	ST053030AF46TS								
			16.00 / 406	7.06 / 179	13.25 / 337	21.63 / 549	33.00 / 838	24.75 / 629	36.75 / 933	12.00 / 305	5.19 / 132	3.94 / 100	3.25 / 83	4.50 / 114	5/8 (16)	391 / 177	ST053040AF46TS								

DIMENSIONS



ITEM	PART NAME	MATERIAL	QTY.
1	BODY	CAST IRON, A126 CL. B	1
2	BASKET	STAINLESS STEEL, 316	2
	PERF. DIA.		
	MESH SIZE		
3	COVER	DUCTILE IRON, A395	2
4	CARTRIDGE	DUCTILE IRON, A395	1
5	STUD	CARBON STEEL	4
6	EYENUT	CARBON STEEL	4
7	PIPE PLUG	CAST IRON	2, 3, 2
8	WASHER	STAINLESS STEEL	1
10	STEM RETAINER	STAINLESS STEEL	1
11	CAP SCREW	CARBON STEEL	1, 4, 1
12	VENT VALVE	BRASS	1
15	PIN	CARBON STEEL	1
16	HANDLE	DUCTILE IRON/CARBON STEEL	1
17	CAP SCREW	CARBON STEEL	1
18	O-RING	BUNA-N	2, 4, 2
19	SEAL	BUNA-N	4, 4
20	SEAT	TEFLON	4
23	BALL	STAINLESS STEEL	4
24	STEM	STAINLESS STEEL	2
25, 26	STEM	STAINLESS STEEL	1, 1

(▲ - SPARES)

NOTES: 1. INLET/OUTLET CONNECTIONS PER ANSI STANDARDS.
2. MAX. WORKING PRESSURE: 200 PSI @ 150° F (13.8 BAR @ 65.5° C)

CERTIFIED FOR: --

P.O. NO.: -- QUOTE NO.: --
REG. NO.: -- TAG NO.: --

EATON
900 FAIRMOUNT AVENUE, ELIZABETH, NEW JERSEY 07207

EATON FILTRATION, LLC

NAME MODEL 53 "BTX" - DUPLEX STRAINER
ANSI CLASS 125 FF FLANGE & NPT
SIZES 3/4" THROUGH 4" CAST IRON

DRW	VA	DATE	08/16/99	CERT.	WB	DATE	08/16/99
SIZE	A	DWG NO.	SD053081	REV	F		

ELECTRONIC FILE NAME: SD053081.DWG
REF. ECR D627 DATE 12/15/05

UNAUTHORIZED USE, MANUFACTURE OR REPRODUCTION IN WHOLE OR IN PART IS PROHIBITED. DRAWING, DESIGN AND OTHER DISCLOSURES PROPERTY OF EATON FILTRATION, LLC