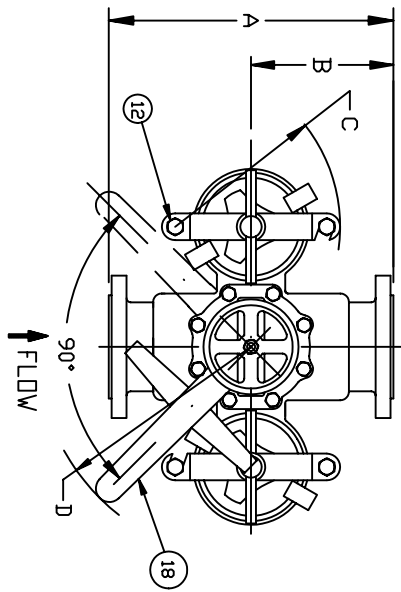
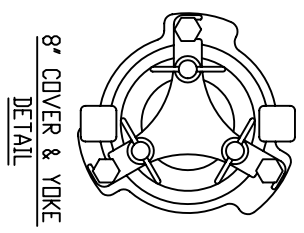
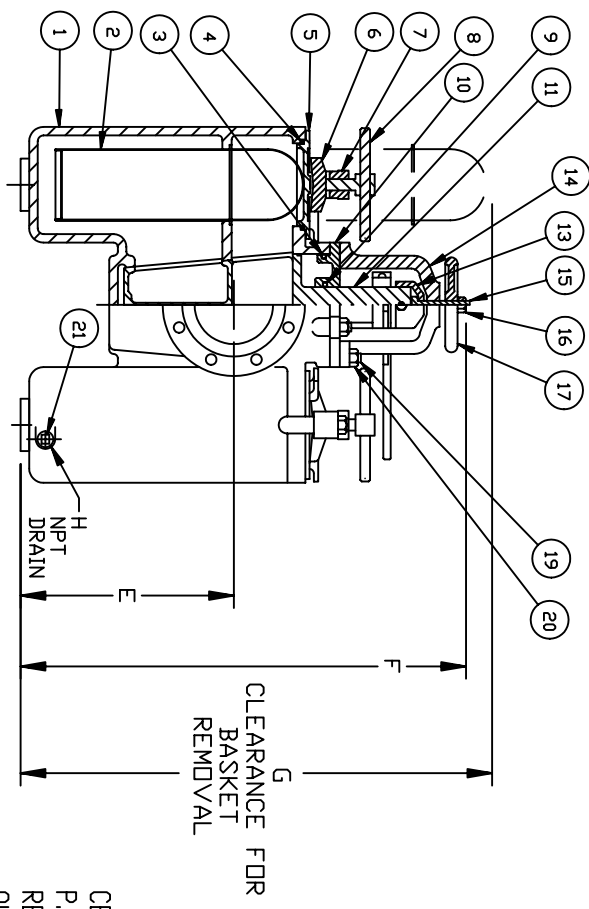


| PIPE SIZE (NOMINAL) | DIMENSIONS | | | | | | | | | | WEIGHT LBS. KGS. | PART NO. | |
|------------------------|-----------------|-----------------|-----------------|-----------------|-----------------|-----------------|-----------------|-----------------------|-----------------|-----------------|---------------------|------------|-----------------|
| | A IN. MM. | B IN. MM. | C IN. MM. | D IN. MM. | E IN. MM. | F IN. MM. | G IN. MM. | H (NDM) IN. MM. | J IN. MM. | K IN. MM. | | | L IN. MM. |
| 6" (150mm) | 22.00 / 559 | 12.88 / 327 | 11.75 / 298 | 19.75 / 502 | 18.50 / 470 | 35.00 / 889 | 42.00 / 1067 | 3/8 / 10 | 20.75 / 527 | 0.63 / 16 | 12.50 / 318 | 580 / 263 | ST0500600R31C |
| 8" (200mm) | 25.00 / 635 | 14.00 / 356 | -- / -- | 28.00 / 711 | 22.44 / 570 | 50.00 / 1270 | 56.00 / 1422 | 1/2 / 15 | 30.75 / 781 | 0.88 / 22 | 17.00 / 432 | 1610 / 730 | ST0500800R31C |



- NOTES:
1. INLET/OUTLET FLANGE CONNECTIONS PER ANSI B16.5.
 2. SIZE 6" USE COVER CLAMP (ITEM 6).
 3. MAX. WORKING PRESSURE: 6" SIZE, 200 PSI @ 100°F (13.8 BAR @ 37.8°C)
8" SIZE, 150 PSI @ 100°F (10.3 BAR @ 37.8°C)



| NO. | PART NAME | MATERIAL |
|-----|-------------------------|------------------------|
| 1 | BODY | CSTL ASTM A216 GR. WCB |
| 2 | BASKET | |
| | PERF. DIA. | |
| | MESH | |
| 3 | D-RING (SIZE - 6") | BUNA-N |
| | GASKET (SIZE - 8") | NON-ASBESTOS |
| 4 | D-RING | BUNA-N |
| 5 | COVER | CSTL ASTM A216 GR. WCB |
| 6 | COVER CLAMP | DUCTILE IRON |
| 7 | YOKE | DUCTILE IRON |
| 8 | YOKE SCREW AND PIN ASSY | CARBON STEEL |
| 9 | D-RING | BUNA-N |
| 10 | BONNET | CSTL ASTM A216 GR. WCB |
| 11 | DIVERTER PLUG | BRONZE ASTM B62 |
| 12 | YOKE STUD | STEEL |
| 13 | JACK COLLAR | DUCTILE IRON |
| 14 | JACK BONNET | DUCTILE IRON |
| 15 | JACKSCREW | STEEL |
| 16 | JACKSCREW NUT | CARBON STEEL |
| 17 | HANDWHEEL | DUCTILE IRON |
| 18 | TURNING HANDLE | DUCTILE IRON |
| 19 | BONNET STUD | ALLOY STEEL |
| 20 | BONNET STUD NUT | CARBON STEEL |
| 21 | DRAIN PLUG | CARBON STEEL |

CERTIFIED FOR:
P.D. NO. ;
REG. NO. ;
QUOTE NO. ;
TAG NO. ;

ELECTRONIC FILE NAME: SD051093.DWG
REF. ECR D507 DATE 11/1/05

UNAUTHORIZED USE, MANUFACTURE OR REPRODUCTION IN WHOLE OR IN PART IS PROHIBITED. DRAWING, DESIGN AND OTHER DISCLOSURES PROPERTY OF EATON FILTRATION, LLC

| | | |
|--------------|--|-------|
| EATON | Monarch Asia Pacific Pty. Ltd Brisbane - Australia www.monarchasiapacific.com.au | |
| | MODEL 50 DUPLEX STRAINER 150# RAISED FACE FLANGE SIZES 6" & 8" CARBON STEEL | |
| DRAWN | DATE | CERT. |
| FM | 1/14/94 | JQ |
| DATE | 1/14/94 | REV |
| SD051093 | | E |