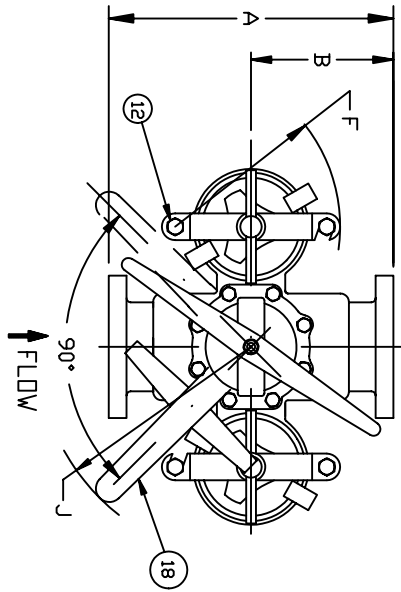
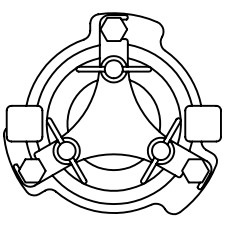
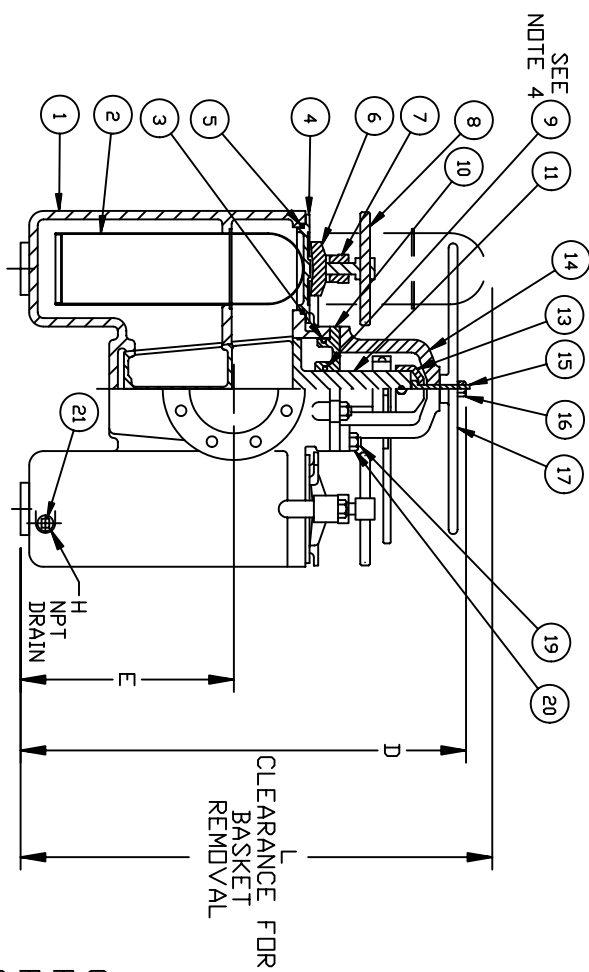


PIPE SIZE (NOMINAL)	DIMENSIONS										WEIGHT LBS. KGS.	HAYWARD PART NO.	
	A IN. MM.	B IN. MM.	C IN. MM.	D IN. MM.	E IN. MM.	F IN. MM.	G IN. MM.	H (NDM) IN. MM.	J IN. MM.	K IN. MM.			L IN. MM.
5" (125mm)	18.38 / 467	9.00 / 229	9.75 / 248	33.25 / 845	14.75 / 375	10.25 / 260	17.19 / 437	3/8 / 10	19.75 / 502	0.56 / 14	41.00 / 1041	403 / 183	ST0500500F 41C
6" (150mm)	22.00 / 559	12.88 / 327	12.50 / 318	36.25 / 921	19.50 / 495	11.75 / 298	20.75 / 527	3/8 / 10	19.75 / 502	0.63 / 16	42.00 / 1067	500 / 227	ST0500600F 41C
8" (200mm)	25.00 / 635	14.00 / 356	17.00 / 432	50.63 / 1286	23.06 / 586	-- / --	30.75 / 781	1/2 / 15	28.00 / 711	0.94 / 24	56.00 / 1422	1500 / 682	ST0500800F 41C

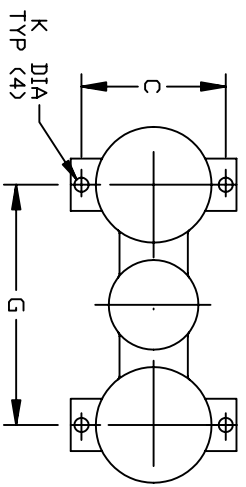


- NOTES:
- INLET/OUTLET FLANGE CONNECTIONS PER ANSI B16.1
 - SIZES 5" & 6" USES COVER CLAMP (ITEM 6).
 - MAX. WORKING PRESSURE: 5" & 6" SIZES 200 PSI @ 100°F (138 BAR @ 37.8°C)
MAX. WORKING PRESSURE: 8" SIZE 150 PSI @ 100°F (10.3 BAR @ 37.8°C)
 - SIZE 5" USE PACKING AND PACKING GLAND IN LIEU OF O-RING.



NO.	PART NAME	MATERIAL
1	BODY	CAST IRON ASTM A126 CL.B
2	BASKET	
	PERF. DIA.	
	MESH	
3	D-RING (SIZE - 6")	BUNA-N
	GASKET (SIZE - 8")	NON-ASBESTOS
4	D-RING	BUNA-N
5	COVER	CAST IRON ASTM A126 CL.B
6	COVER CLAMP	DUCTILE IRON
7	YOKE	DUCTILE IRON
8	YOKE SCREW AND PIN ASSY	CARBON STEEL
9	O-RING	BUNA-N (SEE NOTE 4)
10	BONNET	CAST IRON ASTM A126 CL.B
11	DIVERTEE PLUG	BRONZE ASTM B62
12	YOKE STUD	STEEL
13	JACK COLLAR	DUCTILE IRON
14	JACK BONNET	DUCTILE IRON
15	JACKSCREW	STEEL
16	JACKSCREW NUT	CARBON STEEL
17	LIFTING HANDLE	DUCTILE IRON
18	TURNING HANDLE	DUCTILE IRON
19	BONNET STUD	ALLOY STEEL
20	BONNET STUD NUT	CARBON STEEL
21	DRAIN PLUG	CARBON STEEL

CERTIFIED FOR:
P.D. NO. _____
REG. NO. _____
QUOTE NO. _____
TAG NO. _____



ELECTRONIC FILE NAME: SD051091.DWG
REF. ECR C814 DATE 12/15/04

UNAUTHORIZED USE, MANUFACTURE OR REPRODUCTION IN WHOLE OR IN PART IS PROHIBITED. DRAWING, DESIGN AND OTHER DISCLOSURES PROPERTY OF HAYWARD INDUSTRIAL PRODUCTS, INC.



Monarch Asia Pacific Pty Ltd
Brisbane - Australia
www.monarchasiaspacific.com.au

MODEL 50 DUPLEX STRAINER
125# FLAT FACE FLANGE
SIZES 5" THRU 8" CAST IRON

DATE 2/13/92 CERT. FM DATE 3/24/92

SD051091

REV H