

Gas/Liquid Separators

In-Line
T-Type

Coalescers
Two Stage
Internal

Exhaust Heads
Drain Traps

**Solving Your Need
for Cleaner and
Drier Air, Gas
& Steam
With Smarter
Technology**

EATON

Powering Business Worldwide

Monarch Group - Filters, Strainers & Separators

Australia - www.monarchindustrial.com.au

Thailand - www.psfthailand.com

Exhaust Heads

Carbon or Stainless Steel Construction • Threaded or Flanged Connections

Helps Reduce
Roof Maintenance
Costs



Type 40EHC
(cast)

Eaton Exhaust Heads are designed to separate entrained water and oil from exhaust air, gas or steam prior to being discharged directly into the atmosphere. They will remove more than 99% of liquids and solids over 10 microns in size from the discharged flow, reducing maintenance costs on roofs and surrounding objects.

Operation

The moisture laden gas, air or steam enters at the inlet of the exhaust head where it is directed into a centrifugal upward motion. The entrained solids and moisture droplets are separated out by a reduction in velocity. Separated material falls into a drain reservoir.

FEATURES

- Choice of Cast or Fabricated Construction
- Removes 99% of Liquid and Solid Entrainment Particles Larger Than 10 Microns
- No Required Maintenance
- Highly Efficient
- Virtually No Back Pressure



Type 40EHMF
(fabricated)

Type 40EHC Exhaust Head Rugged Cast Construction

The Eaton Type 40EHC exhaust head is designed for long service life... with body, cover and separating element made of high tensile strength cast iron. Sizes 4" and smaller have threaded (NPT) connections. Sizes 3", 4" and larger have 125# flanged connections. The flange bolt holes are drilled to straddle the center line of the drain outlet. Flanges are cast integral with the body and have slotted holes which are recessed to prevent the bolt heads from turning (except for the 3" and 4" sizes which are available with flanged or threaded connections).

Type 40EHMF Exhaust Head Fabricated Carbon or Stainless Steel Construction

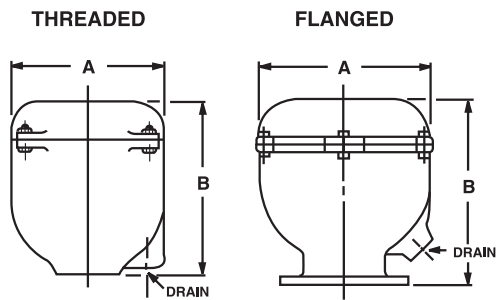
The Eaton Type 40EHMF exhaust head muffler is fabricated from carbon or stainless steel and is electrically welded at all joints to withstand heavy duty usage. These exhaust heads work at high temperatures and remain efficient even when steam or gas is discharged at high velocities. The Type 40EHMF has been designed to minimize the noise associated with high discharge velocities.

The units permit free flow of steam, gas or vapors with an absolute minimum of back pressure. They feature a separating element of 304/304L stainless steel and the entire exhaust head can be ordered in 304L or 316/316L stainless steel if required.

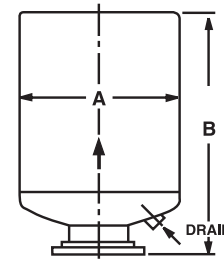
Monarch Group - Filters, Strainers & Separators

Australia - www.monarchindustrial.com.au

Thailand - www.psfthailand.com



Cast Iron-Type 40EHC



Fabricated Carbon or Stainless Steel - Type 40EHMF

Dimensions - Type 40EHC (in / mm)

| | Pipe Size | Diameter A | Height B | Drain Connection (NPT) | Flange O.D. | Weight (lb/kg) | Capacity (lb) Exhaust Steam/Hr at Atmospheric Pressure (14.7 psia) | Capacity (SCFM) Exhaust Air at Atmospheric Pressure (14.7 psia) |
|----------------|-----------|-------------|-------------|------------------------|-------------|----------------|--|---|
| Threaded Inlet | 1 | 5.25 / 133 | 6.12 / 156 | 1/2 | — | 11 / 5 | 160 | 45 |
| | 1-1/2 | 5.25 / 133 | 6.12 / 156 | 1/2 | — | 11 / 5 | 370 | 100 |
| | 2, 2-1/2 | 7.5 / 190 | 8.87 / 225 | 3/4 | — | 25 / 12 | 1,000 | 280 |
| | 3 | 8.75 / 222 | 11.25 / 286 | 3/4 | — | 40 / 18 | 2,100 | 500 |
| | 4 | 10 / 254 | 11.87 / 392 | 1 | — | 50 / 23 | 2,700 | 700 |
| Flanged Inlet | 4 | 10 / 254 | 15 / 381 | 1 | 9 / 229 | 68 / 31 | 2,700 | 700 |
| | 5 | 13 / 330 | 14 / 356 | 1-1/2 | 10 / 254 | 90 / 41 | 4,000 | 1,100 |
| | 6 | 14.75 / 375 | 18.75 / 476 | 1-1/2 | 11 / 279 | 115 / 52 | 6,000 | 1,700 |
| | 8 | 18 / 457 | 20 / 508 | 2 | 13.5 / 343 | 190 / 86 | 10,500 | 2,900 |
| | 10 | 23 / 584 | 24 / 610 | 2 | 16 / 406 | 335 / 152 | 16,000 | 4,500 |

Dimensions - Type 40EHMF (in / mm)

| Pipe Size | Diameter of Outlet | A | B | Drain Size | Drain Type | Weight (lb/kg) | Capacity (lb) Exhaust Stream/Hr at Atmospheric Pressure (14.7 psia) | Capacity (SCFM) Exhaust Air at Atmospheric Pressure (14.7 psia) |
|-----------|--------------------|-------------|-------------|------------|------------|----------------|---|---|
| 2-1/2 | 2.5 / 63 | 8.62 / 219 | 16 / 406 | 1 | NPT | 55 / 25 | 1,000 | 280 |
| 3 | 3 / 76 | 10.75 / 273 | 19 / 483 | 1-1/2 | NPT | 65 / 30 | 1,600 | 410 |
| 4 | 4 / 102 | 14 / 356 | 24 / 610 | 1-1/2 | NPT | 100 / 45 | 2,700 | 700 |
| 5 | 5 / 127 | 16 / 406 | 26 / 660 | 1-1/2 | NPT | 130 / 59 | 4,000 | 1,100 |
| 6 | 6 / 152 | 18 / 457 | 30 / 762 | 1-1/2 | NPT | 140 / 64 | 6,000 | 1,700 |
| 8 | 8 / 203 | 20 / 508 | 36 / 914 | 2 | NPT | 240 / 109 | 10,500 | 2,900 |
| 10 | 10 / 254 | 24 / 610 | 42 / 1,067 | 2 | NPT | 390 / 177 | 16,000 | 4,500 |
| 12 | 12 / 305 | 30 / 762 | 48 / 1,219 | 2-1/2 | NPT | 550 / 250 | 24,000 | 6,500 |
| 14 | 14 / 356 | 36 / 914 | 54 / 1,372 | 2-1/2 | NPT | 700 / 341 | 34,000 | 8,800 |
| 16 | 16 / 406 | 40 / 1,016 | 60 / 1,524 | 3 | NPT | 850 / 386 | 44,000 | 11,500 |
| 18 | 18 / 457 | 42 / 1,067 | 66 / 1,676 | 3 | NPT | 1,175 / 534 | 52,000 | 14,500 |
| 20 | 20 / 508 | 48 / 1,219 | 72 / 1,829 | 3 | NPT | 1,500 / 682 | 66,000 | 17,000 |
| 24 | 24 / 610 | 54 / 1,372 | 84 / 2,134 | 4 | Flanged | 1,850 / 841 | 94,000 | 26,000 |
| 30 | 30 / 762 | 72 / 1,829 | 102 / 2,591 | 4 | Flanged | 2,100 / 955 | 145,000 | 40,000 |
| 36 | 36 / 914 | 78 / 1,981 | 112 / 2,845 | 4 | Flanged | 4,500 / 2,045 | 210,000 | 55,000 |
| 42 | 42 / 1,067 | 96 / 2,438 | 130 / 3,302 | 4 | Flanged | 6,100 / 2,773 | 290,000 | 76,000 |
| 48 | 48 / 1,219 | 102 / 2,591 | 148 / 3,760 | 4 | Flanged | 7,800 / 3,545 | 375,000 | 99,000 |